

## FT Series NTC THERMISTOR

The FT series are frequently used for applications where limited space is concern. With typical thickness of 0.6mm they are ideal choice for precise temperature measurement between flat surfaces where quick response time is critical.



### FEATURES:

- Excellent surface temperature measurement
- Very thin and flexible: Various shapes and applications
- Strong mechanical strength :high reliability against force
- Fast response time: high reliability for sensing time
- Good heat resistance, thermal shock and moisture proof
- Operating temperature range:  $-40^{\circ}\text{C}\sim 105^{\circ}\text{C}$

### APPLICATIONS:

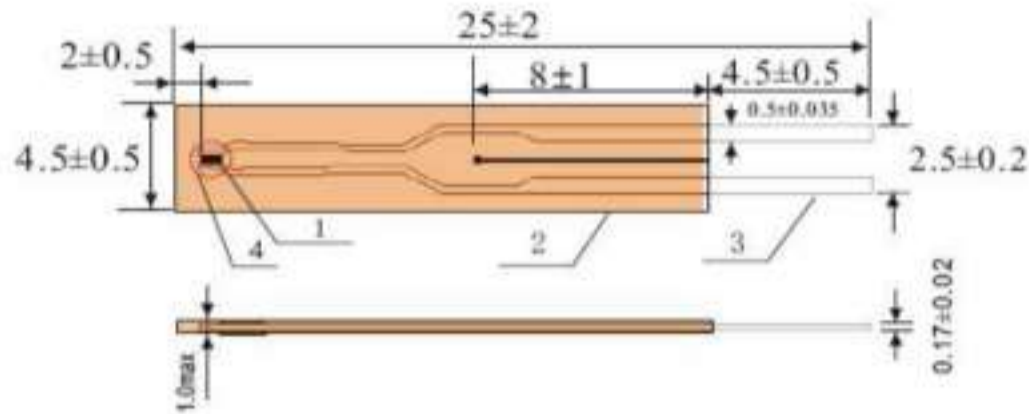
- PCM of Battery
- CPU of Computer
- Mobile communication.
- Copies, printer office appliances, mobile power.
- Fire alarm system, grain storage system, aluminum power control panel

### OPTIONS:

- Alternative film width size : 3.6mm~5.5mm
- Alternative wire length: Min17mm~Max75mm
- Alternative parameter: 10k3435, 10k3950, 50K3950, 100k3950, 100k4010, 100k4250, etc.

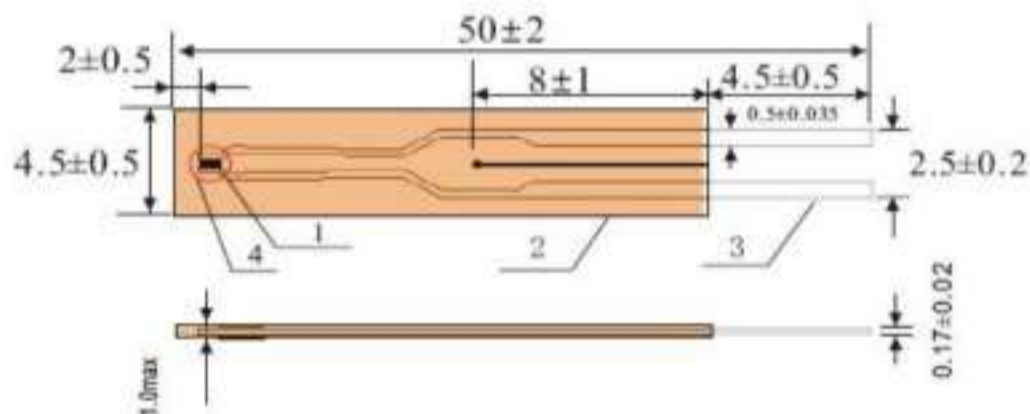
## FT Series NTC THERMISTOR

### DIMENSIONS (mm):



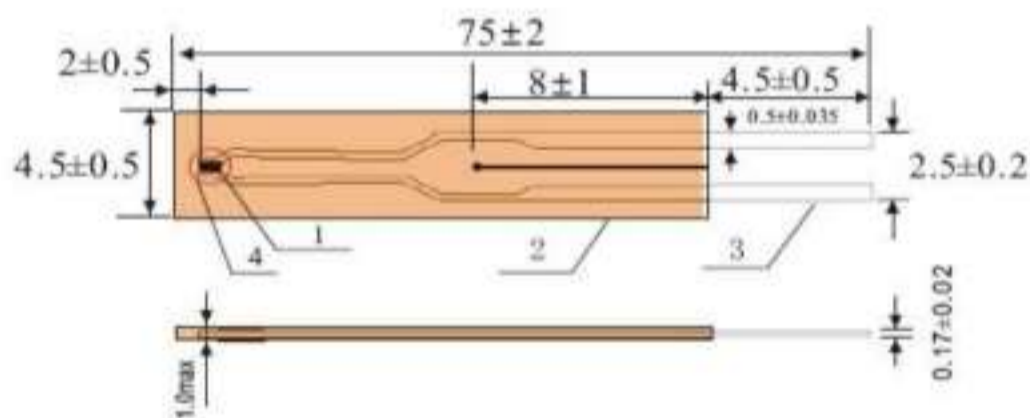
Number	Material & spec.
1	Thermistor chip
2	Polyimide film
3	Phosphorus copper tinned frame
4	Polymer Elastomer

FT-25mm



Number	Material & spec.
1	Thermistor chip
2	Polyimide film
3	Phosphorus copper tinned frame
4	Polymer Elastomer

FT-50mm



Number	Material & spec.
1	Thermistor chip
2	Polyimide film
3	Phosphorus copper tinned frame
4	Polymer Elastomer

FT-75mm

### ELECTRICAL CHARACTERISTICS:

Type	Dissipation Constant (mW/°C) In still air	Thermal Time Constant (s) In still air	Working Temp.
FT	≥0.7	≤5	-40°C~105°C

## FT Series NTC THERMISTOR

### PACKAGING:

Packaging Option	Standard Quantity
Bulk	500pcs/bag

### ORDERING CODE:

FT S R25 103 F 3435 F B L25

① ② ③ ④ ⑤ ⑥ ⑦ ⑧ ⑨

① FT: Polyimide Film Type Thermistor

② Film width: 

<b>S: Standard type width size 4.5mm</b>
<b>C: Customize type width size 3.6mm</b>

③ Rated temperature: 25°C

④ Resistance value at rated temperature( unit: K) : 10k

⑤ Resistance tolerance: F

D	E	F	G	H	J	K
±0.2%	±0.5%	±1%	±2%	±3%	±5%	±10%

⑥ Beta value( unit: K) : 3435

⑦ B value tolerance: F

D	E	F	G	H	J	K
±0.2%	±0.5%	±1%	±2%	±3%	±5%	±10%

⑧ B value temperature code: B

A	B	C	D	E	F	G	H	M	N	X
25/50	25/85	0/25	0/50	0/100	0/80	25/100	-18/25	-20/25	5/25	others

⑨ Wire length(mm): 25